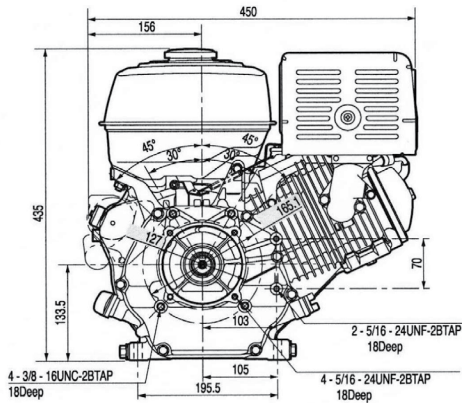


Specifications

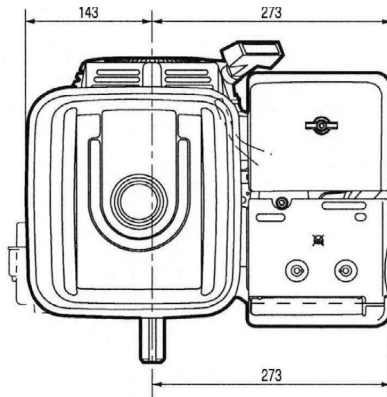
LONCIN

G390F

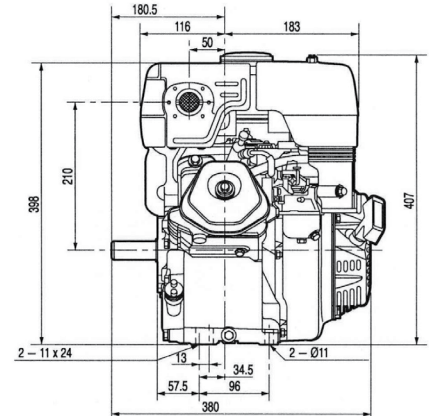
Front View



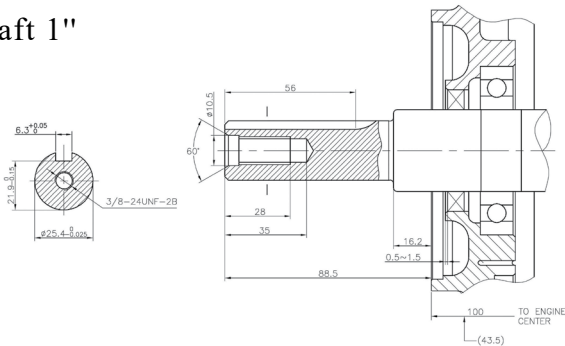
Top View



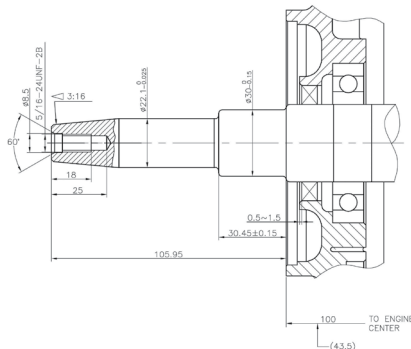
Side View



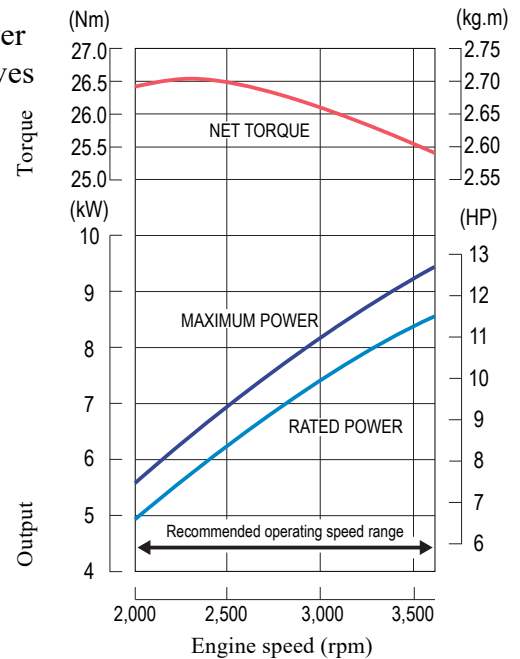
P-Shaft 1"



G-Shaft



Power Curves



	G390F
Engine	Single cylinder, 4 stroke, OHV, forced air cooled
Net Power	11 hp / 8.2 kW @ 3600 rpm
Gross Power	13 hp / 9.7 kW @ 3600 rpm
Maximum Torque	25.1 Nm @ 2500 rpm
Starting System	Recoil Start (electric option)
Ignition System	Transistor Electric, Inductive firing
Displacement	389 cc
Fuel Consumption	≤ 374 g/kW h
Fuel Tank Capacity	6.51 litres
Oil Capacity	1.1 litres
Noise Level (≤ 7m)	70 db (A)
Continuing Operation Hours	2.4
Bore x Stroke	88 mm x 64 mm
Compression Ratio	8 : 1
Lubrication System	Splash
Air Cleaner	Semi-dry, oil bath, foam filter
Dimension (L x W x H)	450 mm x 405 mm x 443 mm
Dry Weight	31 kg